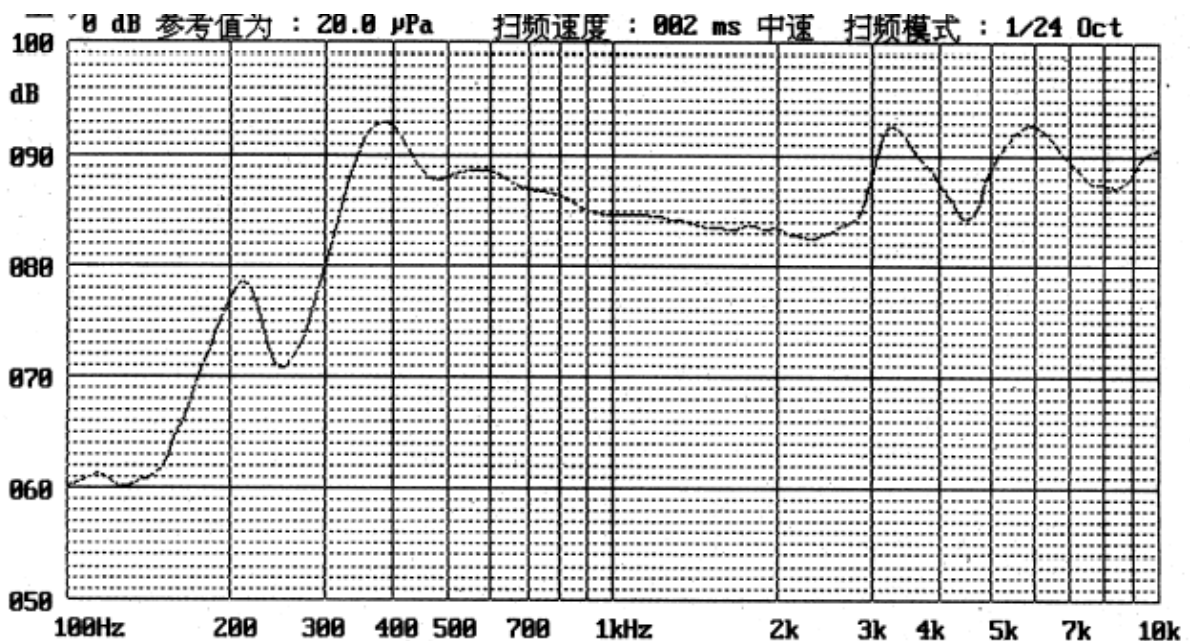
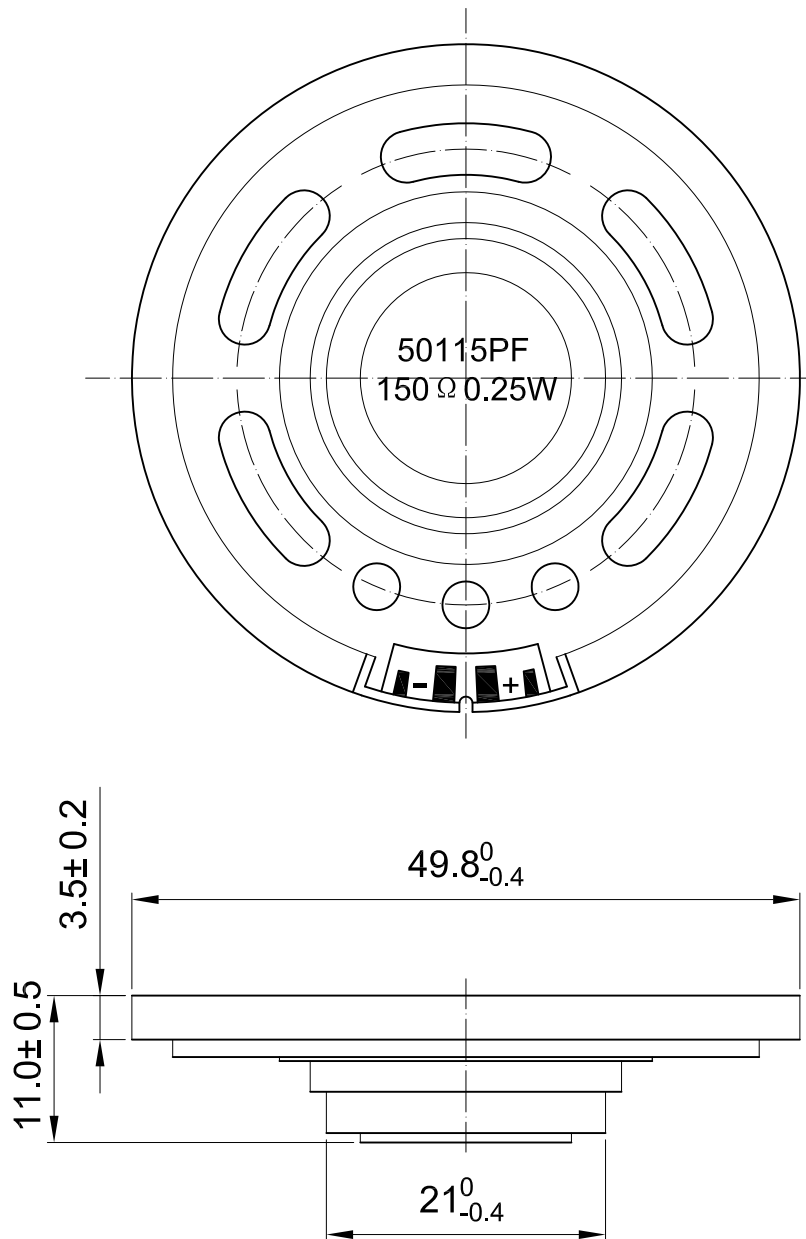


Speaker Specification

Customer's Model No.		Customer		QUARTZ-1	
Kepo Model No.		KPSP50115PF-150/0.25F	Size	Φ 50mm	No. J22302
No.	Item	Specification	Test Condition		
1	Impedance	150Ω± 15%	at 800Hz		
2	Resonant Fr. (f ₀)	400Hz± 20%			
3	Frequency Range	F0-5.0KHz			
4	Rated Power	0.25W			
5	Max Power	0.3W			
6	S.P.L.	88± 3dB	0.1W/0.1M /0.8, 1.0, 1.2, 1.5kHz		
7	Distortion	Max 5%	at rated power 1.0kHz		
8	Sweep Test	must be normal	at sine wave 6.12V		
9	Load Test	after test meet item 8	rated noise power, 24 Hrs.		
10	Heat Test	after test meet item 8	50± 2℃ 5Hrs.		
11	Cold Test	after test meet item 8	-20± 2℃ 5Hrs.		
12	Humidity Test	after test meet item 8	40± 2℃,90/95%R.H. 5Hrs.		
13	Packing	48X31X31cm/14kg /1000pcs EPS packing			
14	Polarity Test	When supplied plus D.C. voltage to (+) terminal, the cone must move to forward.			
15	Note				



Dimensions:



FIRST ANGLE PROJECTION

UNIT : mm
Tolerance : ±0.2